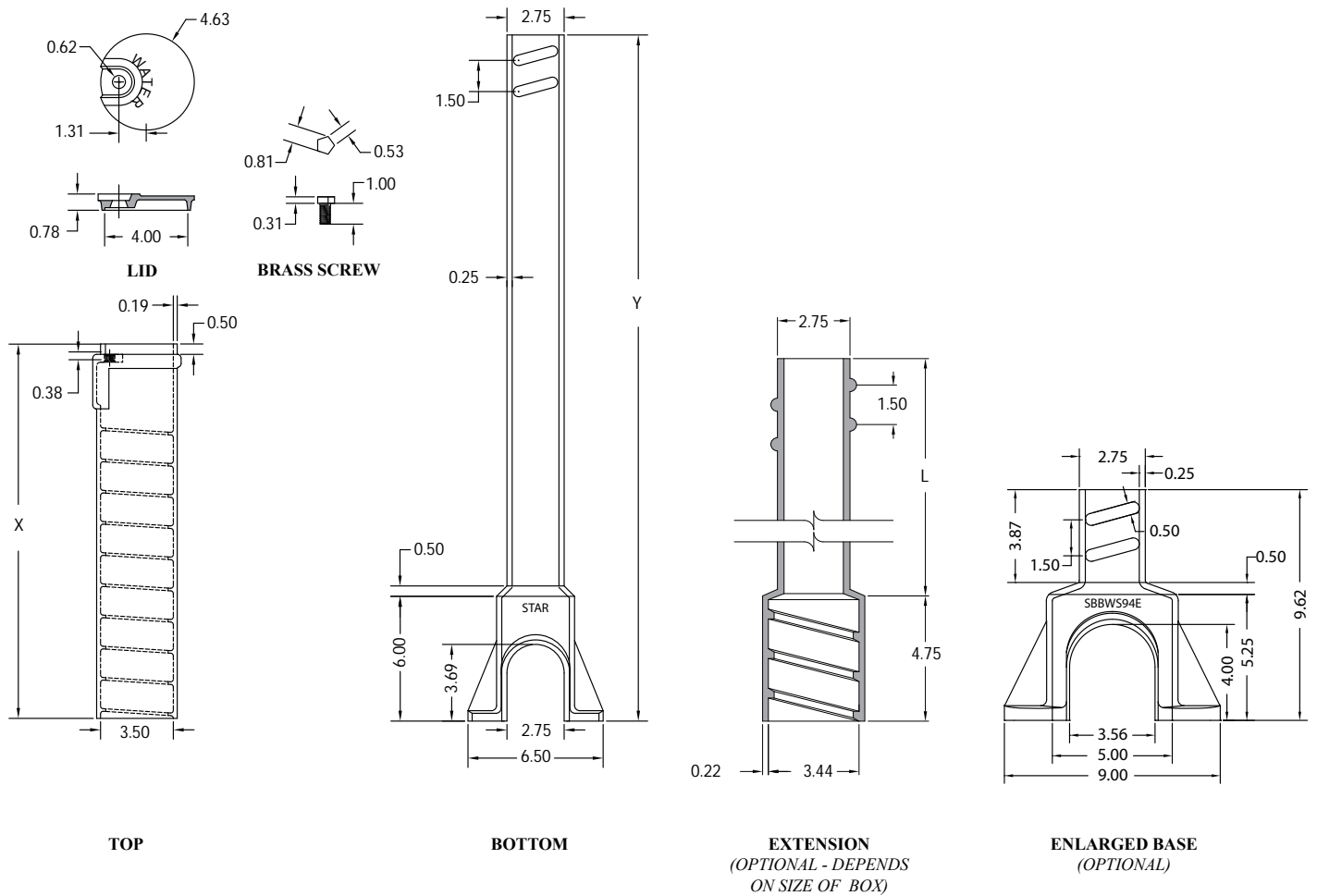


TABLE OF CONTENTS[CLICK NAME TO NAVIGATE](#)

NAME	CAT #
SCREW TYPE SERVICE BOX	SB-0001
REPAIR LID FOR SERVICE BOX	SB-0002
CLEVELAND SERVICE BOX	SB-0003
ROADWAY BOX	RB-0001

SCREW TYPE SERVICE BOX
SB-0001

ITEM CODE	COMPLETE	TOP	BOTTOM	EXTENSION	ENLARGED BASES
	HEIGHT	HEIGHT (X)	HEIGHT (Y)	HEIGHT (L)	HEIGHT
SB93D	36-48	18	33	-	-
SB93E	36-54	24	33	-	-
SB94ES	42-60	24	39	-	-
SB95ES	41-64	30	39	-	-
SB100ES	54-72	24	52	-	-
SB100FS	54-78	30	52	-	-
SBRISER					
SBRISER09	-	-	-	9	-
SBRISER16	-	-	-	16	-
SBRISER28	-	-	-	28	-
SBRISER30	-	-	-	30	-
SBBWS					
SBBWS94E	-	-	-	-	9.62
SBBW94E	-	-	-	-	39

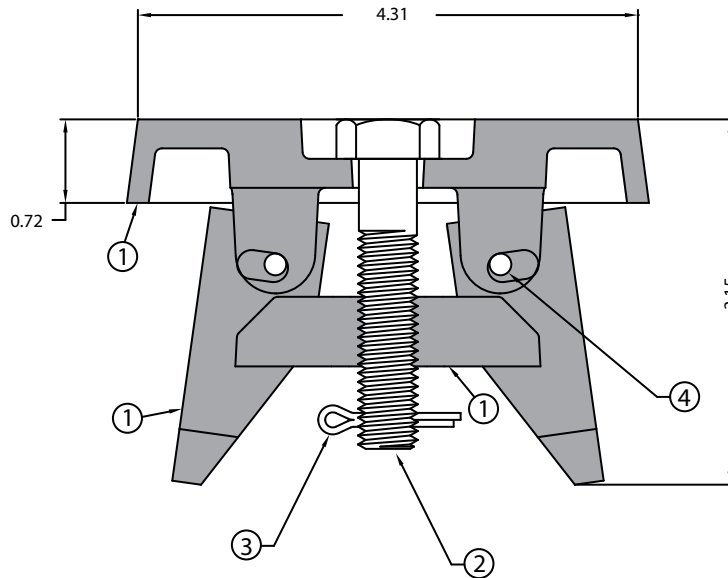

Notes:

- Material: Cast Iron Per ASTM A48 Class 30B
- Dimensions in Inches

REPAIR LID FOR SERVICE BOX

SB-0002

ITEM CODE	DETAILS
MBC1000L	COMPLETE



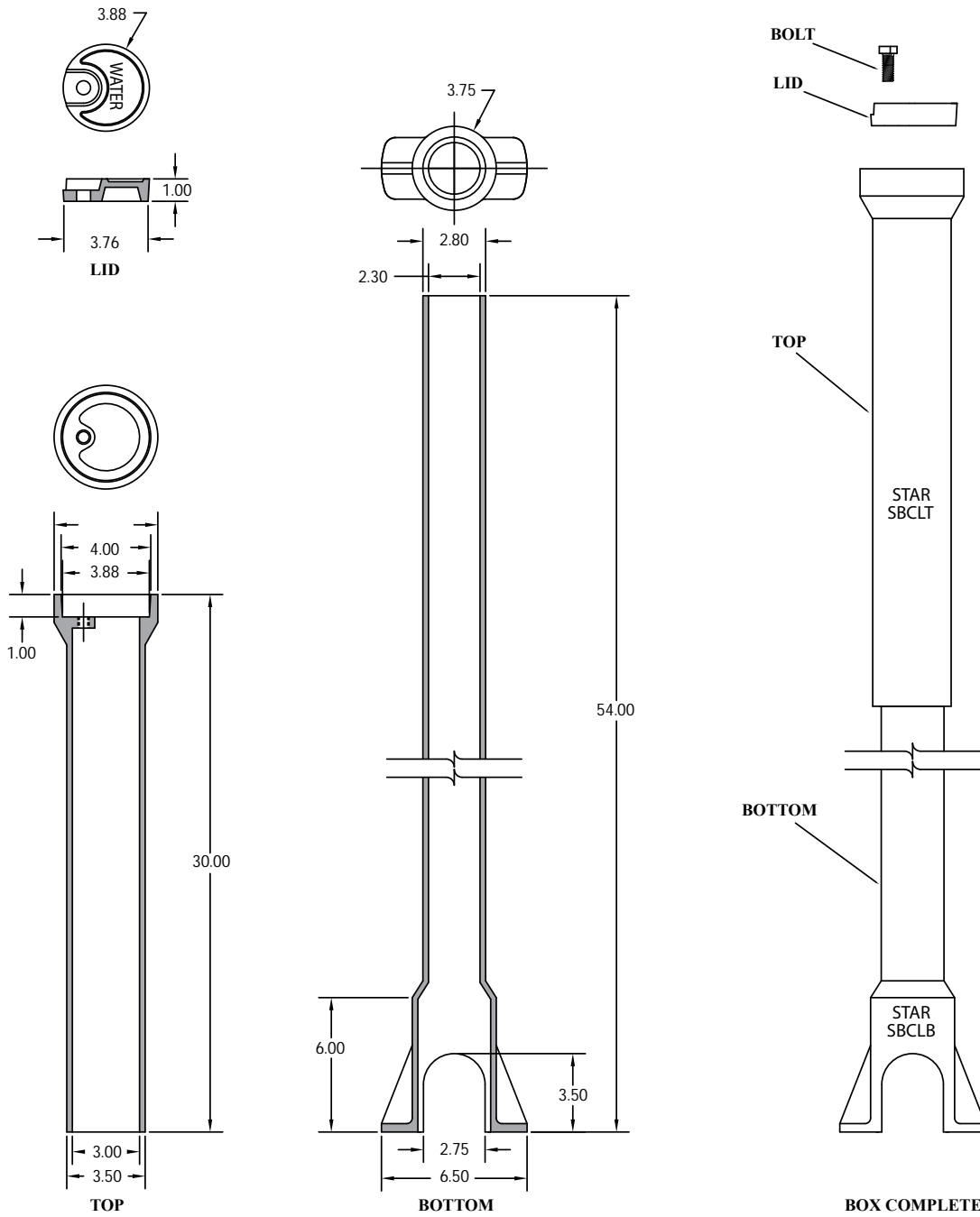
Notes:

- 1: Material: Cast Iron Per ASTM A48 Class 30B
- 2: 1/2" x 2 1/2" Brass Pentagon Bolt
- 3: 1/8" x 1" Carbon Steel Cotter Pin
- 4: 3/8" x 1 1/2" Steel button Head Rivet
- Dimensions in Inches

CLEVELAND SERVICE BOX

SB-0003

ITEM CODE	DETAILS
SBCL	COMPLETE
SBCLLID	LID
SBCLT	TOP
SBCLB	BOTTOM



Notes:

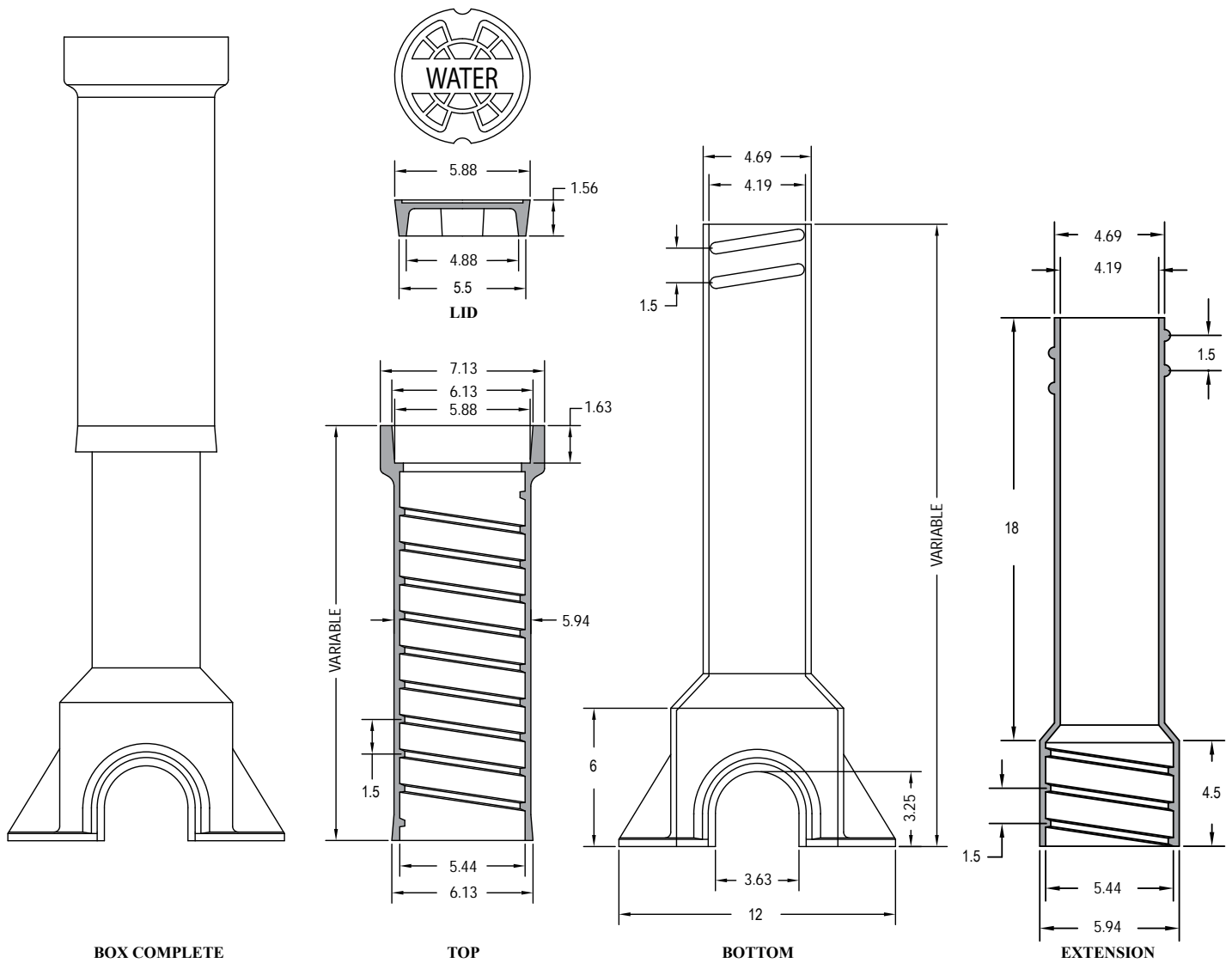
- Material: Cast Iron Per ASTM A48 Class 30B
- Dimensions in Inches



ROADWAY BOX

RB-001

ITEM CODE	COMPLETE	TOP	BOTTOM	EXTENSION
	HEIGHT	HEIGHT	HEIGHT	HEIGHT
RWB142RHD	30-42	18	27	-
RWB143RHD	36-48	18	34	-
RWB145RHD	49-62	18	27	-
RWB142REX	-	-	-	18



Notes:
 - Material - Cast Iron Per ASTM A48 Class 30B
 - Dimensions in Inches

